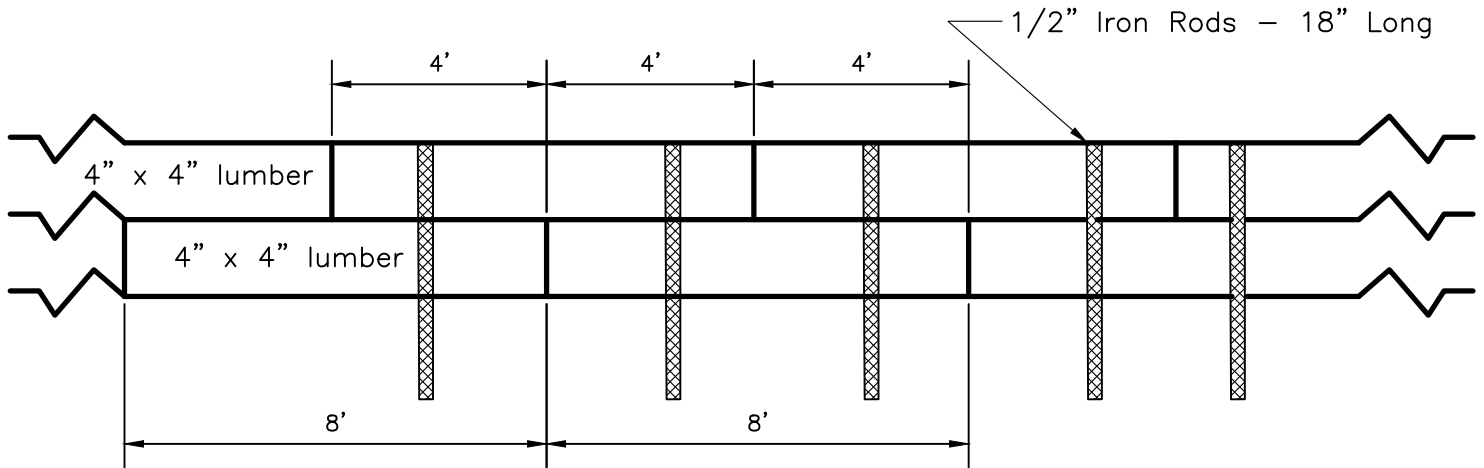


CROSS - SECTION #1 - WOODEN BARRIERS  
NOT TO SCALE



Note 1: Placement of timbers and iron rods

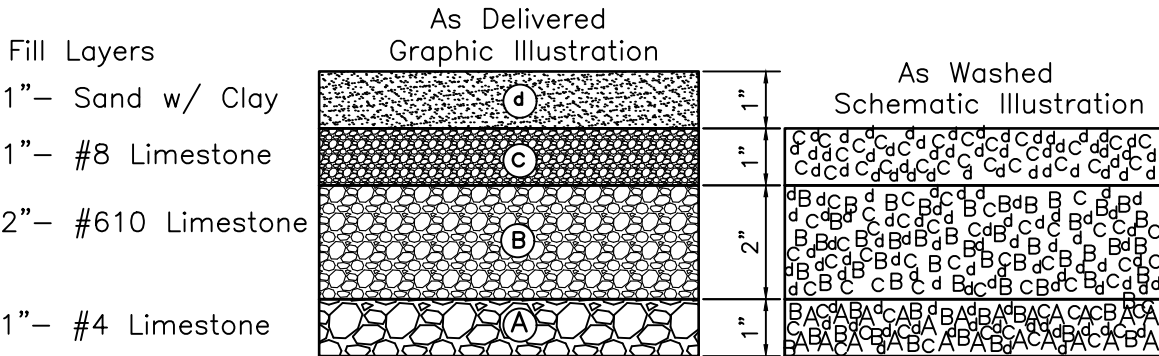
Step 1: Layout timber courses and iron rods as shown on Sheet 4/5.

Step 2: Stagger Joints between courses every 4' except as noted on Sheet 4/5.

Step 3: Pre-drill timbers with 1/2" holes using 7 amp electric drill.

Step 4: Use 1 lb maul to drive iron rods flush with timber tops.

CROSS - SECTION #2 - LIMESTONE FILL  
NOT TO SCALE



Note 2: Placement of Gravel Layers

Step 1: Cover inside wood frame with landscape cloth with pins.

Step 2: Divide each load of fill layer between the two courts.

Step 3: Rake each fill layer evenly.

Step 4: Wash with water hose after delivery of fill layers B, C, & D.

Step 5: Wash each upper layer to fill spaces between lower layers.

LEBLANC ELEMENTARY SCHOOL  
4511 E La Highway 338  
Abbeville, LA 70510  
(337) 937-8110



LEBLANC ELEMENTARY SCHOOL

SHEET

Petanque Courts

5  
5

Cross Sections: Timber & Fill

Mike LeBlanc, AICP  
Town & County Planning  
PO Box 60444  
Lafayette, LA 70596  
(337) 534-9930



Dwg: Mike LeBlanc, AICP

Date: 10/19/2020

Plan: Mike LeBlanc, AICP

File: LeBlanc\_Elem\_Petanq\_Crts\_4x0